



TG-UH/NTC10-03

Outdoor temperature sensor with housing

Temperature sensor with NTC10 element for outdoor temperature measurement or for use in areas requiring a higher protection class.

- Screw cap
- Tight casing, IP65

- Anti-tear cable gland
- Modern design and compact format

Tempero series temperature sensor with a modern design suiting all environments.

TG-UH/NTC10-03 is intended for wall mounting, outdoors or in areas where a high protection class is required.

The sensor is compatible with Andover, Delta Controls, Siebe and York.

Technical data

Temperature range	-30...+70°C
Compatible with	Andover, Delta Controls, Siebe, York
Sensor element	NTC 10k4A1, 10 kΩ/25°C
Cable gland	M16
Protection class	IP65

Material

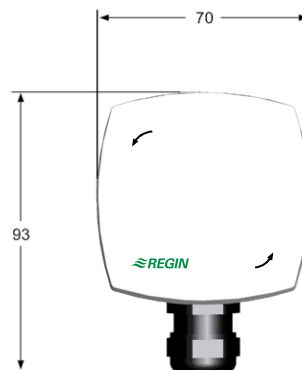
Housing	Polycarbonate
---------	---------------

Colour

Cover	Polar white RAL9010
Base	Dark grey RAL7043

Temperature (°C)	Resistance (Ω)	Temperature (°C)	Resistance (Ω)
15	15136	70	1990
10	18787	65	2339
5	23462	60	2760
0	29490	55	3271
-5	37316	50	3893
-10	47549	45	4656
-15	61031	40	5594
-20	78930	35	6754
-25	102889	30	8196
-30	135233	25	10000
		20	12268

Dimensions (mm)



Head office Sweden

Phone: +46 31 720 02 00
 Web: www.regincontrols.com
 Mail: info@regin.se

REGIN

THE CHALLENGER IN BUILDING AUTOMATION