



RVA10-24A

Valve actuator for 0(2)...10V control signal.
Force 1000 N.

Valve actuator for control of Regin's valves. The actuator has automatic self stroke adjustment and can be operated manually.

- Protection class IP54
- Manual operation
- Automatic stroke adjustment

RVA10-24A is a valve actuator intended for control of Regin's valves.

Automatic stroke and endpoint calibration

The stroke is set using DIP-switch 2. On each power-up and after manual manoeuvring, automatic stroke and endpoint calibration will take place. If the unit has been configured for fixed stroke (DIP-switch 2 in position Off) the actuator will first go to the fully closed end position. The position will be stored in memory and the 20 mm stroke will be calculated from this point.

If the unit has been configured for free stroke (DIP-switch 2 in position On) the actuator will first go to both endpoints of the stroke. The points will be stored in memory and the control will be calibrated so that the full stroke will be covered by the set input signal.

- Easy to mount the valve
- Stroke 10...30 mm (20 mm fixed stroke)
- Position indication

Override

Activation of the override input will force the actuator spindle to go to its lowest position or its highest position, depending on the setting of DIP-switch 1. SW1 also affects the direction of movement.

Indications

The actuator has two LEDs with indications according to the table below.

Indication	
Green steady light	Actuator working properly
Green light quick flashing	Test run in progress
Green light slow flashing	The setting was changed during the operation. The new setting will be valid after the next power on.
Red and green steady light	End position reached
Red light slow flashing	Override operating mode
Red steady light	Operation faulty, either the improper installation or the valve stroke lost

Technical data

Supply voltage	24 V AC \pm 15%, 50/60 Hz
Control signal	0(2)...10 V DC or 4...20 mA. For 4...20 mA control signal, a 500 Ohm resistor must be mounted parallel to the input signal, i.e. between terminals 2 and 3. SW4 should be in position 1 (On).
Power consumption	Max. 6 W
Stroke	10...30 mm (20 mm fixed stroke)
Stroke time	3 s/mm
Force	1000 N
Ambient temperature	0...50°C
Storage temperature	-40...80°C
Ambient humidity	10...90% RH
Protection class	IP54

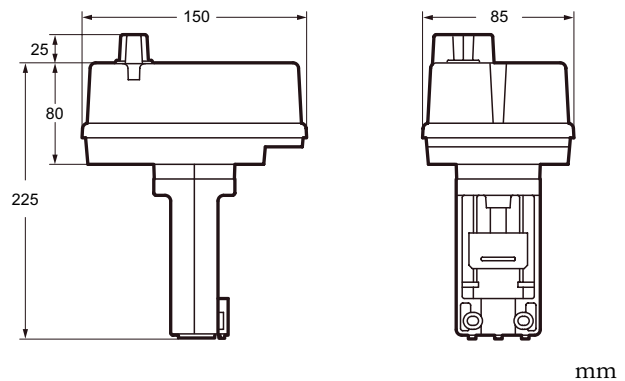
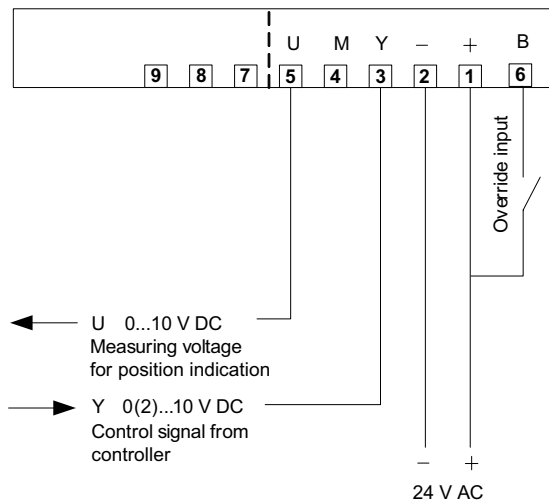


This product conforms with the EMC requirements of European harmonised standards EN60730-1:2000 and EN60730-2-8:2002 and carries the CE mark. It also conforms with the requirements of European LVD standards EN60730-1:2000 and EN60730-2-8:2002.

DIP-switches

	1 (On)	0 (Off)
SW1	Spindle up on closed contact	Spindle down on closed contact (FS=factory setting)
SW2	Free stroke (auto adaptation, 10...30 mm) (FS)	Fixed stroke (20 mm)
SW3	Linear	Equal percentage (FS)
SW4	Y = 2...10 V DC	Y = 0...10 V DC (FS)
SW5	Reverse action	Direct action (FS)
SW6	Y signal split	SW7 disable (FS)
SW7	5(6)...10 V = 0...100%	0(2)...5(6) V = 0...100% (FS)

Wiring and Dimensions



Head Office Sweden
 Phone: +46 31 720 02 00
 Web: www.regin.se
 Mail: info@regin.se

Sales Offices
 France: +33 14 171 46 46
 Hong Kong: +852 24 07 02 81
 Singapore: +65 67 47 82 33
 Germany: +49 30 77 99 40

REGIN

THE CHALLENGER IN BUILDING AUTOMATION